

BANK RUN SAND & GRAVEL
 (Dry, Suitable Bedding Conditions)

SCREENED GRAVEL OR STONE
 (Clay, Wet Or Unsuitable Bedding Conditions)

STANDARD BEDDING DETAILS

NOTES:

1. Bank Run Sand & Gravel To Be Thoroughly Compacted In 6" Layers By Hand Tamping (If And Where Directed).
2. Bank Run Sand & Gravel Shall Be Compacted To 95% Standard Proctor Density (Typical).
3. Approved Backfill Compacted As Per Specifications.
4. Magnetic Tape Shall Be Placed In Trench When Non-Metallic Piping Six (6") Inch And Larger Is Laid.

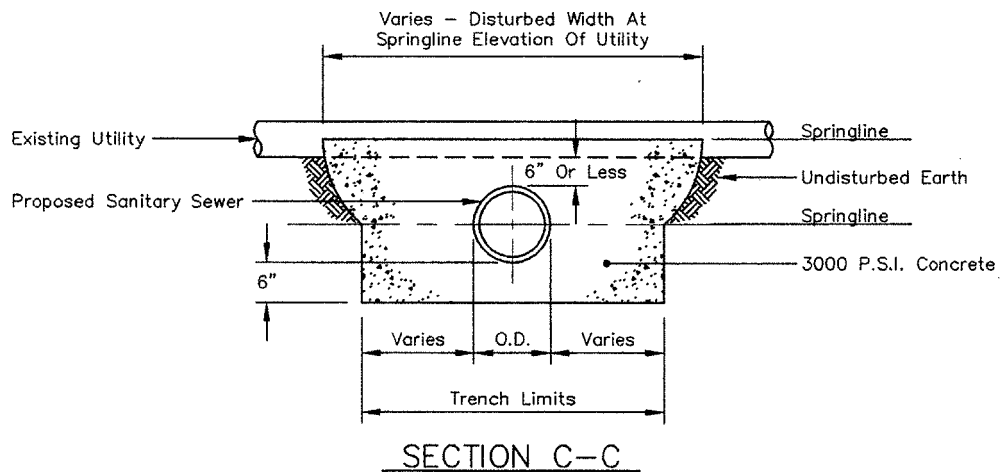
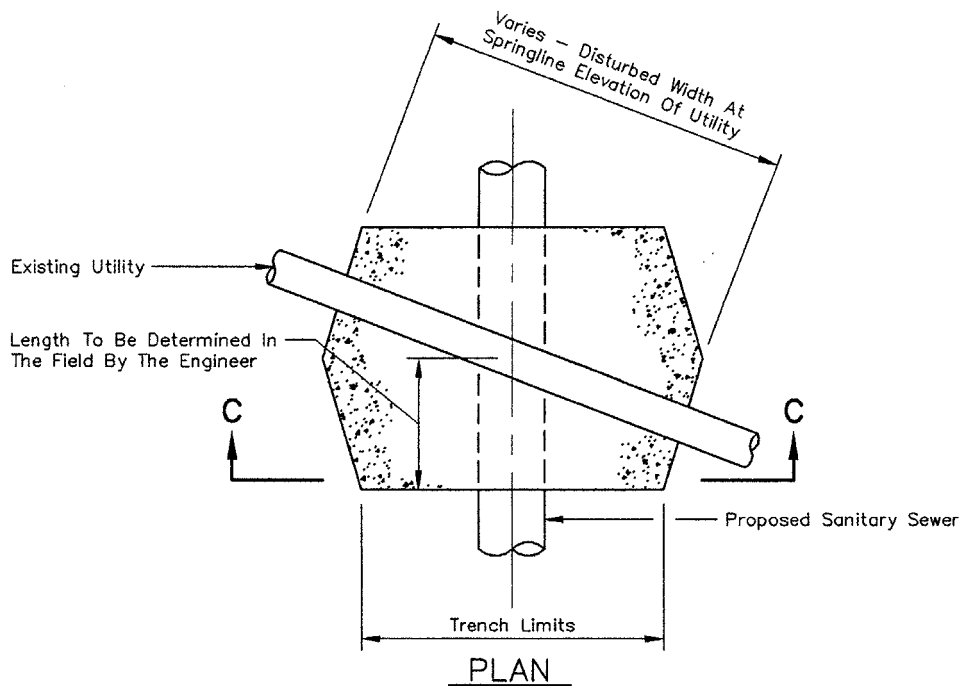
LITTLE EGG HARBOR MUNICIPAL UTILITIES AUTHORITY
 P.O. BOX 660
 LITTLE EGG HARBOR, NEW JERSEY 08087
 PHONE : (609) 296-1168



REMINGTON, VERNICK & VENA
ENGINEERS
 9 Allen Street • Toms River, New Jersey 08753 • (732) 288-9220

GA 278110

| | | | | | |
|------------------|--------------------|-----------------|-------------------|---------------------|----------------|
| SCALE: N.T.S. | DATE: JULY 1997 | DRAWN BY: JB | CHK'D. BY: ABD | JOB No.: 1517-L-019 | PLATE No. 1 |
| | | | | CAD FILE: W-PLATE1 | |



CONCRETE CRADLE DETAIL

NOTE:

Where Gravity Sewers Cross Under Or Over An Existing Sanitary Sewer, Storm Drain Or Other Utility Other Than Water And Where The Minimum Distance Between Them Is 6" Or Less, The Engineer May Elect To Construct A Concrete Cradle To The Springline Of The Upper Pipe. The Width Of The Cradle Shall Be Equal To The Actual Excavated Width Of The Trench (6" Below The Lower Pipe) And Varies To The Disturbed Trench Width At The Springline Of The Upper Pipe. The Length Varies And Is To Be Determined In The Field By The Engineer. Water And Sewer Shall Have An 18" Clearance.

LITTLE EGG HARBOR MUNICIPAL UTILITIES AUTHORITY
 P.O. BOX 660
 LITTLE EGG HARBOR, NEW JERSEY 08087
 PHONE : (609) 296-1168



REMINGTON, VERNICK & VENA
 ENGINEERS

9 Allen Street • Toms River, New Jersey 08763 • (732) 286-9220

SCALE:
N.T.S.

DATE:
JULY 1997

DRAWN BY:
JB

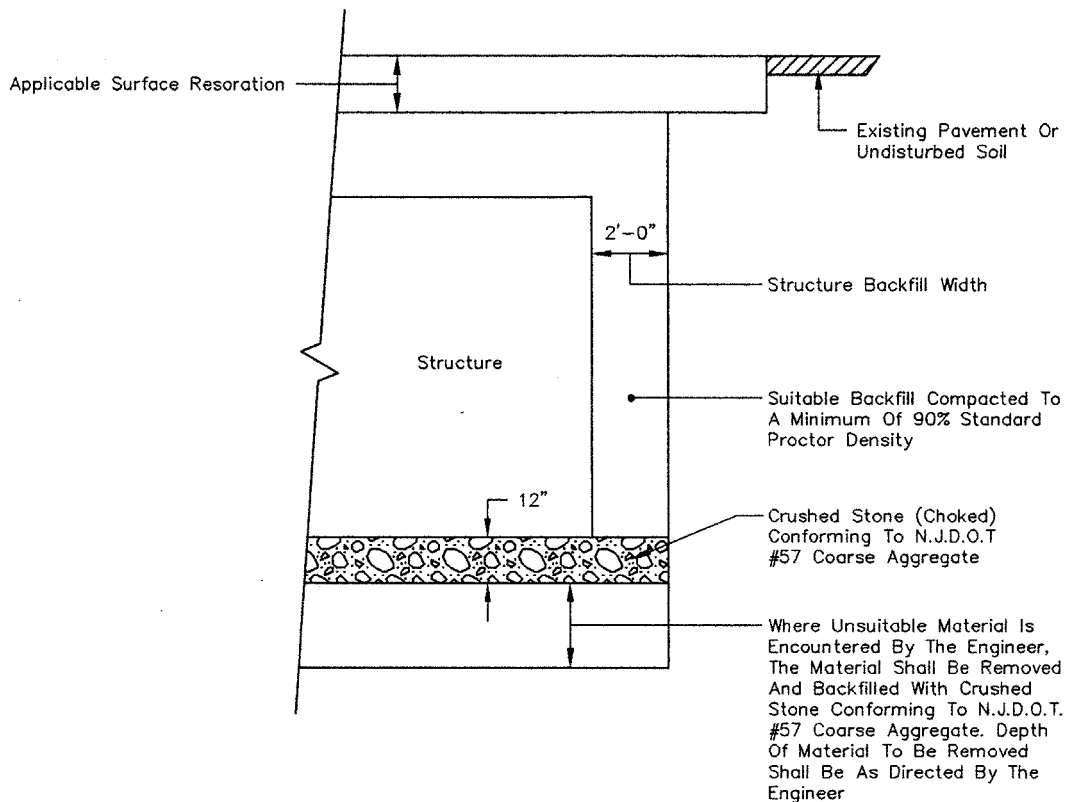
CHK'D. BY:
ABD

JOB No.: 1517-L-019

PLATE No.
2

CAD FILE: W-PLATE2

GA 278110



TYPICAL STRUCTURE BACKFILL DETAIL

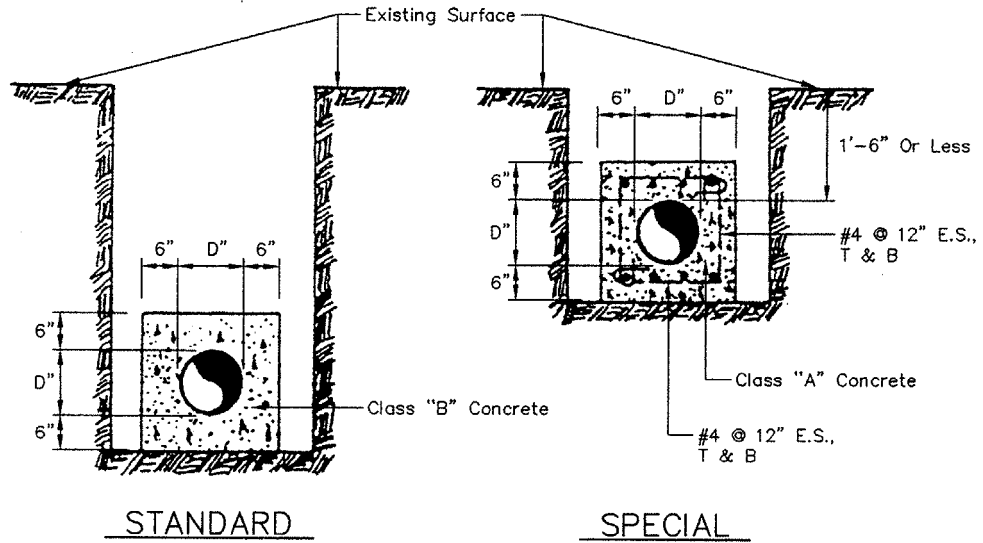
LITTLE EGG HARBOR MUNICIPAL UTILITIES AUTHORITY
 P.O. BOX 660
 LITTLE EGG HARBOR, NEW JERSEY 08087
 PHONE : (609) 296-1168



REMINGTON, VERNICK & VENA
 ENGINEERS
 9 Allen Street • Toms River, New Jersey 08753 • (732) 286-9220

GA 278110

| | | | | | |
|------------------|--------------------|-----------------|-------------------|---------------------|----------------|
| SCALE: N.T.S. | DATE: JULY 1997 | DRAWN BY: JB | CHK'D. BY: ABD | JOB No.: 1517-L-019 | PLATE No. 3 |
| | | | | CAD FILE: W-PLATE3 | |



ENCASEMENT IN CONCRETE

NOTE:

- Where The Pipe Is Encased, Pipe Material Shall Be Cement Lined Ductile Iron Pipe (D.I.P.), Class 52.

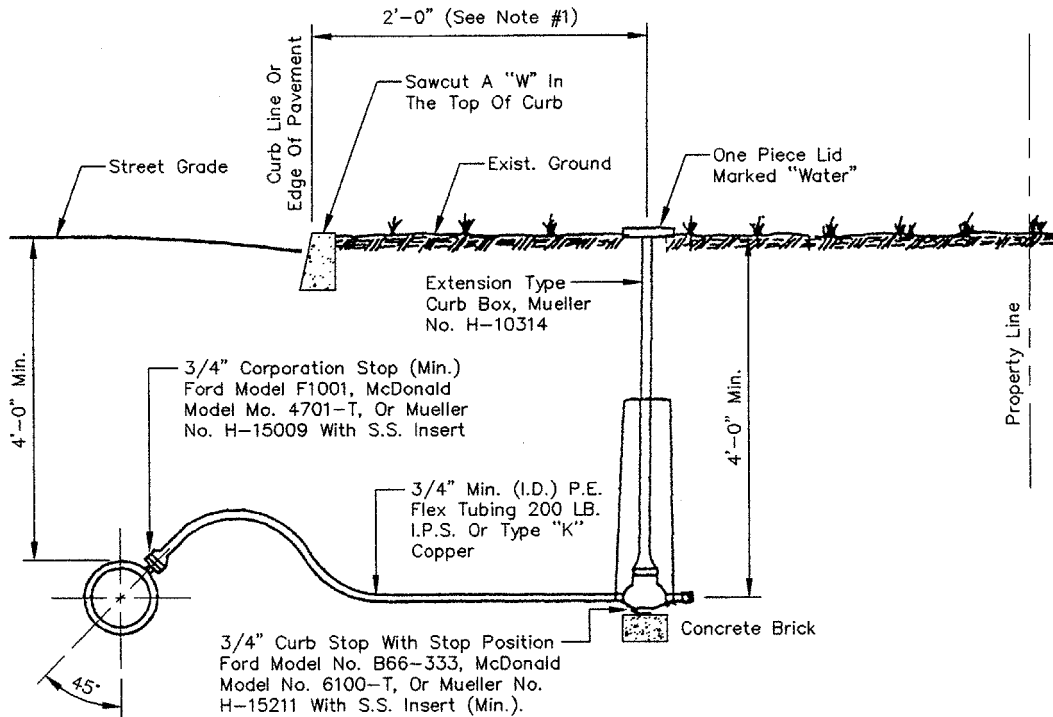
LITTLE EGG HARBOR MUNICIPAL UTILITIES AUTHORITY
 P.O. BOX 660
 LITTLE EGG HARBOR, NEW JERSEY 08087
 PHONE : (609) 296-1168



REMINGTON, VERNICK & VENA
 ENGINEERS
 9 Allen Street • Toms River, New Jersey 08753 • (732) 286-9220

GA 278110

| | | | | | |
|------------------|--------------------|-----------------|-------------------|---------------------|----------------|
| SCALE: N.T.S. | DATE: JULY 1997 | DRAWN BY: JB | CHK'D. BY: ABD | JOB No.: 1517-L-019 | PLATE No. 4 |
| | | | | CAD FILE: W-PLATE4 | |



NOTES:

1. Location Of Curb Stop And Box To Be In Planter Area Or One (1) Foot On Resident's Side Of Proposed Sidewalk And Never Outside Of Street R.O.W. Or Never In Concrete Or Paved Areas, Including Pavers, Interlocking Blocks, Bricks, Etc.
2. No Connection Shall Be Backfilled Until Written Approval Is Made By The Engineer Or His Representative. Violators Will Be Required To Expose The Work For Inspection Before Acceptance Of The Connection.
3. All Service Connections Shall Be Provided With A Remote Read-Out Type Water Meter As Approved By The M.U.A.
4. The Site Contractor Shall Extend The Service Piping To The Property Line.
5. Saddles Shall Be Used For Services One (1) Inch Or Larger. Saddle Manufacturer And Model No. Shall Be Smith Blair Model 317 Double Strapped Nylon Coated Or Equal.

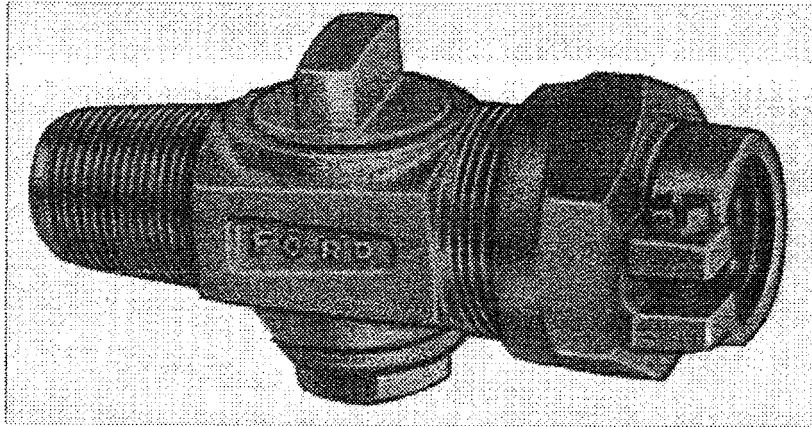
TYPICAL WATER SERVICE CONNECTION INSTALLATION

LITTLE EGG HARBOR MUNICIPAL UTILITIES AUTHORITY
 P.O. BOX 660
 LITTLE EGG HARBOR, NEW JERSEY 08087
 PHONE : (609) 296-1168

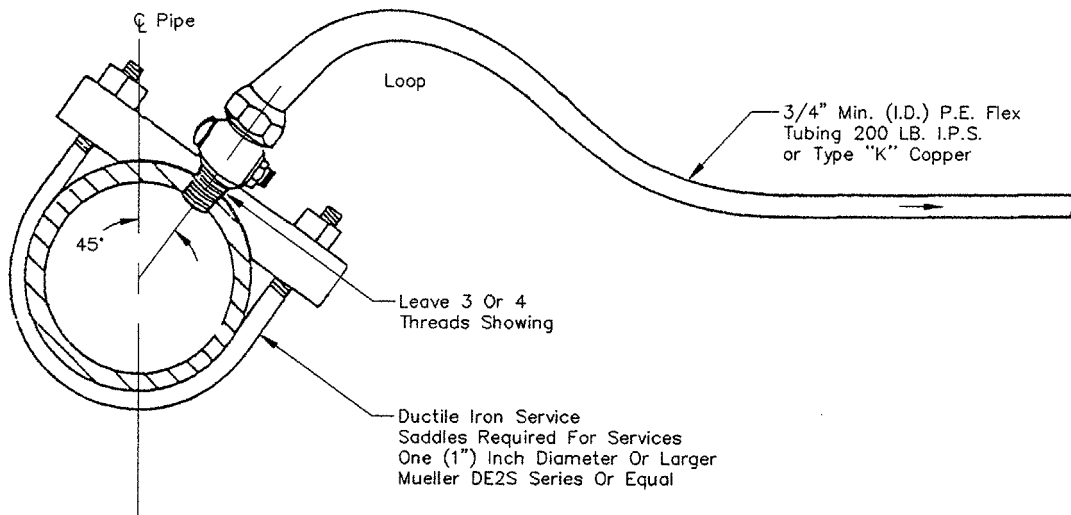


REMINGTON, VERNICK & VENA
 ENGINEERS
 9 Allen Street • Toms River, New Jersey 08753 • (732) 286-9220

| | | | | | |
|------------------|--------------------|-----------------|-------------------|---------------------|----------------|
| SCALE: N.T.S. | DATE: JULY 1997 | DRAWN BY: JB | CHK'D. BY: ABD | JOB No.: 1517-L-019 | PLATE No. 5 |
| | | | | CAD FILE: W-PLATE5 | |



Corporation Stop Ford Model F1001, McDonald Model No. 4701-T,
Or Mueller No. H-15009 With S.S. Insert



CORPORATION SHUT OFF DETAILS

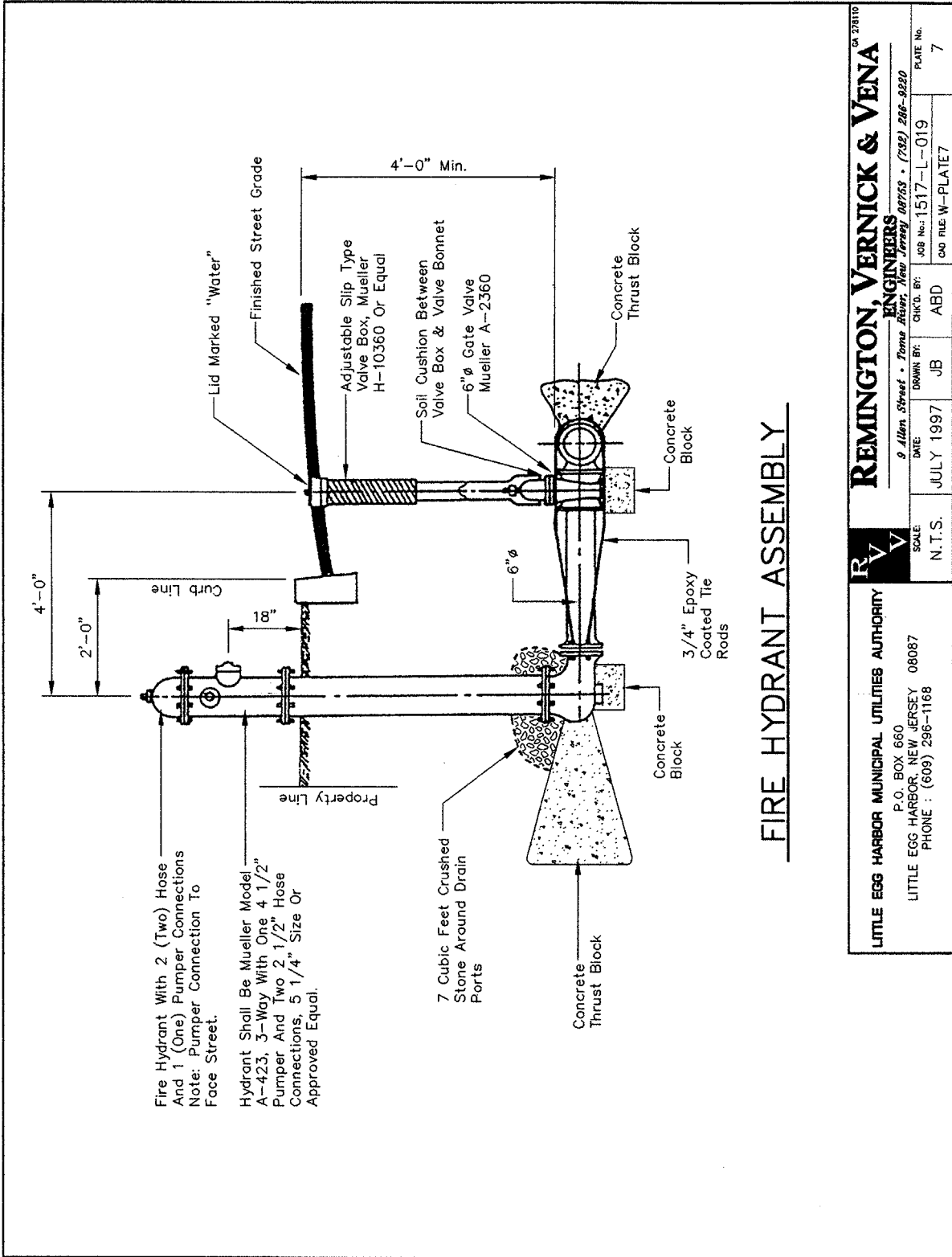
LITTLE EGG HARBOR MUNICIPAL UTILITIES AUTHORITY
 P.O. BOX 660
 LITTLE EGG HARBOR, NEW JERSEY 08087
 PHONE : (609) 296-1168



REMINGTON, VERNICK & VENA
 ENGINEERS

9 Allen Street • Toms River, New Jersey 08753 • (732) 286-9220


| | | | | | |
|------------------|--------------------|-----------------|-------------------|---------------------|-----------------|
| SCALE: N.T.S. | DATE: JULY 1997 | DRAWN BY: JB | CHK'D. BY: ABD | JOB No.: 1517-L-019 | PLATE No.: 6 |
| | | | | CAD FILE: W-PLATE6 | |



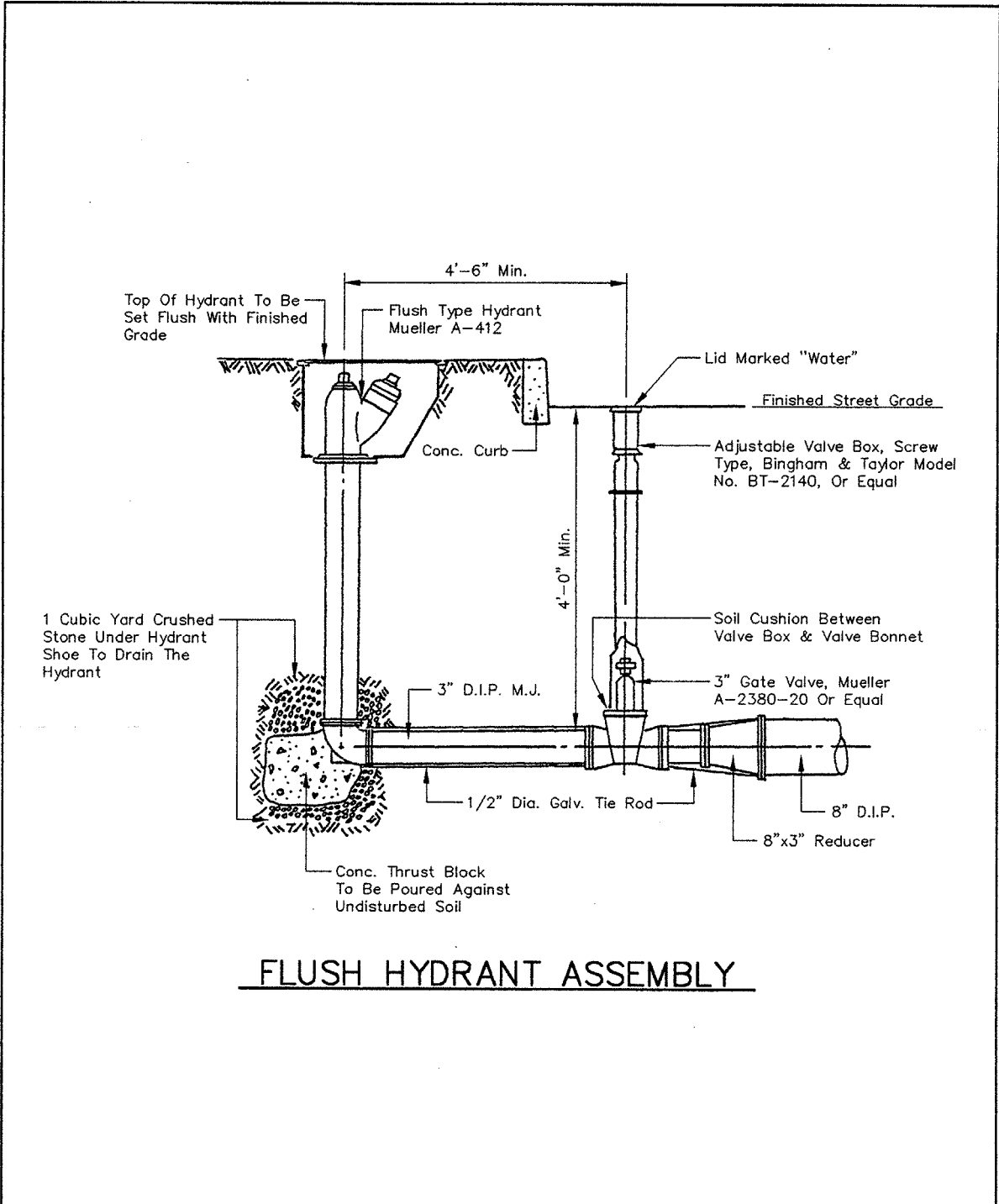
Fire Hydrant With 2 (Two) Hose And 1 (One) Pumper Connections
 Note: Pumper Connection To Face Street.

Hydrant Shall Be Mueller Model A-423, 3-Way With One 4 1/2" Pumper And Two 2 1/2" Hose Connections, 5 1/4" Size Or Approved Equal.

FIRE HYDRANT ASSEMBLY

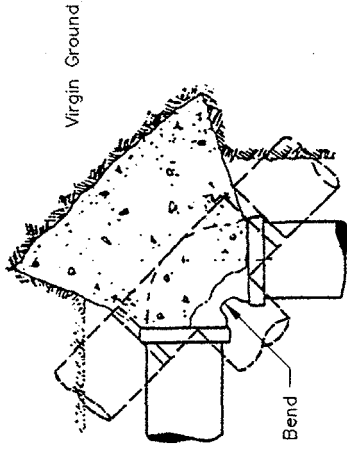
| | | | |
|---|-----------|--|------------|
|  | | REMINGTON, VERNICK & VENA ENGINEERS <small>9 Allen Street • Tom's River, New Jersey 08753 • (732) 286-9220</small> | |
| SCALE: | DATE: | DRAWN BY: | JOB No.: |
| N.T.S. | JULY 1997 | JB | 1517-L-019 |
| | | CHK'D BY: | PLATE No. |
| | | ABD | 7 |
| | | C&D FILE: W-PLATE7 | |

LITTLE EGG HARBOR MUNICIPAL UTILITIES AUTHORITY
 P.O. BOX 660
 LITTLE EGG HARBOR, NEW JERSEY 08087
 PHONE : (609) 296-1168



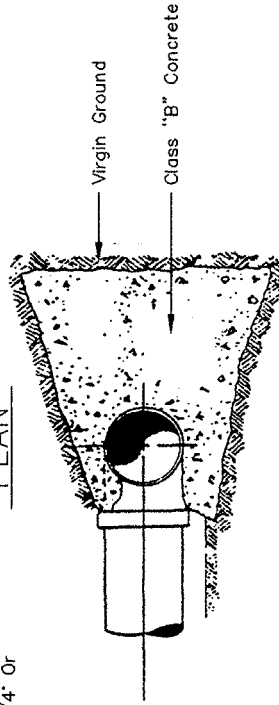
FLUSH HYDRANT ASSEMBLY

| | | | | | |
|---|--------------------|---|-------------------|--------------------------|--|
| LITTLE EGG HARBOR MUNICIPAL UTILITIES AUTHORITY P.O. BOX 660 LITTLE EGG HARBOR, NEW JERSEY 08087 PHONE : (609) 296-1168 | | REMINGTON, VERNICK & VENA ENGINEERS | | <small>GA 278110</small> | |
| | | <small>9 Allen Street • Toms River, New Jersey 08753 • (732) 286-9220</small> | | | |
| SCALE: N.T.S. | DATE: JULY 1997 | DRAWN BY: JB | CHK'D. BY: ABD | CAD FILE: W-PLATE8 | |



* Note:
Thrust Block Shall
Be Used At All
Bends 11 1/4" Or
Greater

PLAN



ELEVATION

Min. Concrete Reaction Backing Bearing Area
Required In Square Feet (For Safe Oil Bearing
Pressure Of 1.5 Tons/S.F. Or Greater Only)

| Pipe Diameter (Inches) | SQ. FT. MIN. PER BEND | | |
|------------------------|-----------------------|---------|-----|
| | 11 1/4" | 22 1/2" | 45" |
| 4 | 1.0 | 1.0 | 1.0 |
| 6 | 1.0 | 1.0 | 1.0 |
| 8 | 1.0 | 1.0 | 1.0 |
| 10 | 1.0 | 1.5 | 3.0 |
| 12 | 1.1 | 2.2 | 4.3 |
| 16 | 2.0 | 4.0 | 7.7 |

NOTES:

1. For Lesser Soil Bearing Capacity These Reaction Backing Bearing Areas Shall Be Increased Accordingly.
2. Reaction Backing Bearing Areas Based On A Water Main Test Pressure Of 150 P.S.I. For Higher Test Pressure These Reaction Backing Bearing Areas Shall Be Increased Accordingly.

TYPICAL THRUST BLOCK

RE
VER
V

LITTLE EGG HARBOR MUNICIPAL UTILITIES AUTHORITY
P.O. BOX 660
LITTLE EGG HARBOR, NEW JERSEY 08087
PHONE : (609) 296-1168

REMINGTON, VERNICK & VENA CA 27610
ENGINEERS
9 Allen Street - Pomona, New Jersey 06758 - (732) 286-9220

SCALE: N.T.S.

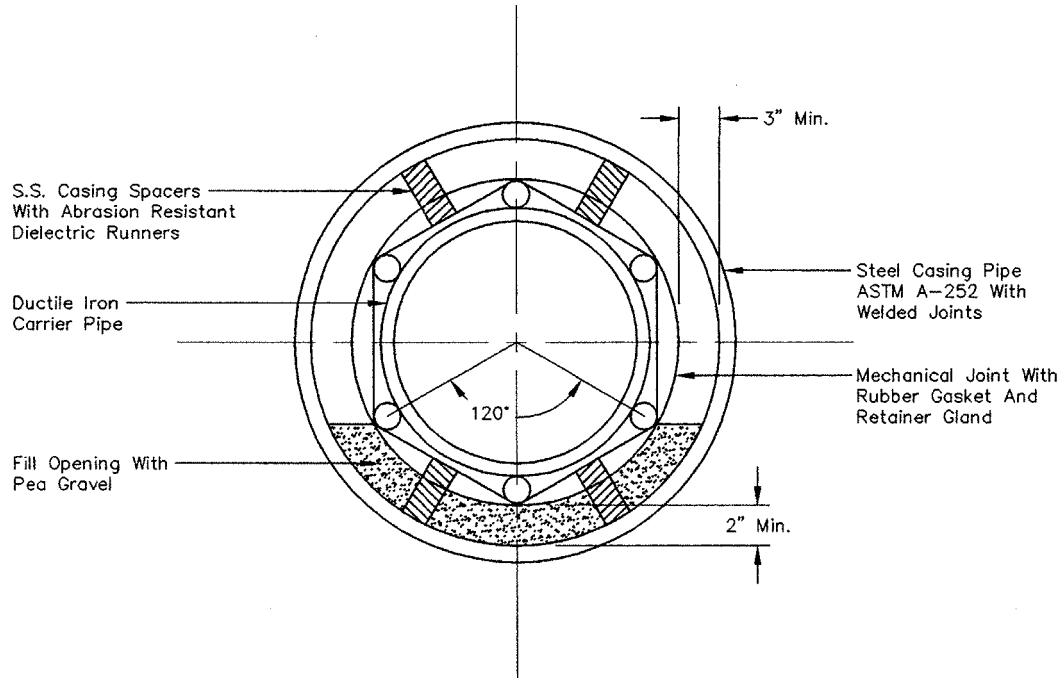
DATE: JULY 1997

CHKD. BY: ABD
DRAWN BY: JB

JOB No.: 1517-L-019
CAD FILE: W-PLATE9

PLATE No. 9

| CASING SIZE | MIN. CASING THICKNESS WITH | |
|--------------|----------------------------|---------------|
| | 1:4 GROUT | WITHOUT GROUT |
| 8"-24" | 3/8" | 1/2" |
| 26"-34" | 1/2" | 5/8" |
| 36" & Larger | 5/8" | 3/4" |



CARRIER PIPE IN DRIVEN STEEL CASING

NOTES:

1. Install Rubber Pull-On End Seals With S.S. Bands At Each End Of The Casing Pipe.
2. A 1.0 Foot Thick Masonry Bulkhead Shall Be Constructed At Each End Of The Casing Pipe.
3. Restrain D.I.P. Carrier Pipe To Steel Casing With Steel Bars Welded To Casing and 3/4" Rods.

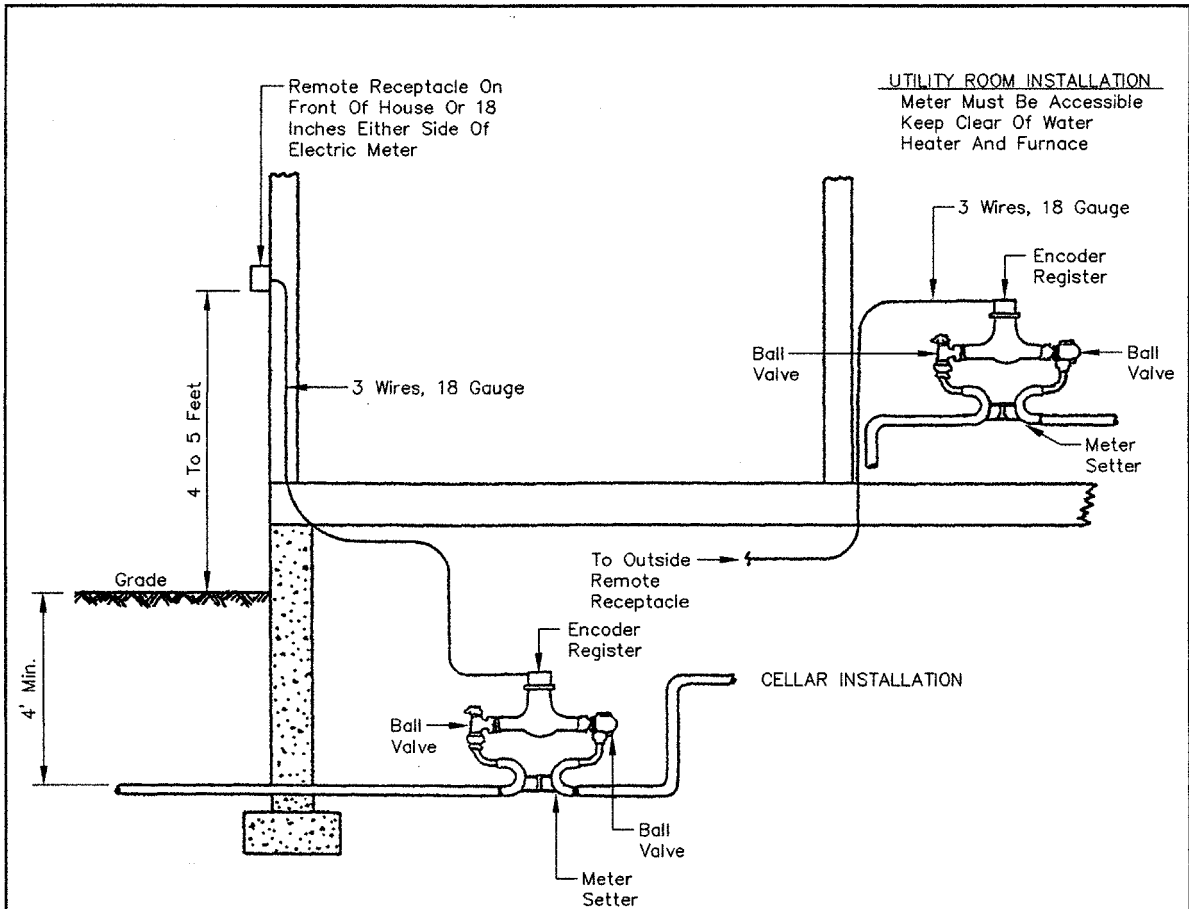
LITTLE EGG HARBOR MUNICIPAL UTILITIES AUTHORITY
P.O. BOX 660
LITTLE EGG HARBOR, NEW JERSEY 08087
PHONE : (609) 296-1168



REMINGTON, VERNICK & VENA
ENGINEERS
9 Allen Street • Toms River, New Jersey 08753 • (732) 298-9220

GA 278110

| | | | | | |
|------------------|--------------------|-----------------|-------------------|---------------------|-----------------|
| SCALE: N.T.S. | DATE: JULY 1997 | DRAWN BY: JB | CHK'D. BY: ABD | JOB No.: 1517-L-019 | PLATE No. 10 |
| | | | | CAD FILE: W-PLATE10 | |



RESIDENTIAL WATER METER INSTALLATION

NOTES:

1. The Location Of The Water Meter Shall Be Standardized.
2. Water Meter And Remote Receptacle Shall Be Provided And Installed By The Authority At The Developer's Cost.
3. The Cable Shall Be Provided By The Authority And Installed By The Contractor Without Spliced Connections.
4. The Meter Setter Shall Be Provided And Installed By The Contractor.

LITTLE EGG HARBOR MUNICIPAL UTILITIES AUTHORITY
 P.O. BOX 660
 LITTLE EGG HARBOR, NEW JERSEY 08087
 PHONE : (609) 296-1168



REMINGTON, VERNICK & VENA
ENGINEERS

GA 278110

9 Allen Street • Tom's River, New Jersey 08753 • (732) 286-9220

| | | | | | |
|------------------|--------------------|-----------------|-------------------|---------------------|-----------------|
| SCALE: N.T.S. | DATE: JULY 1997 | DRAWN BY: JB | CHK'D. BY: ABD | JOB No.: 1517-L-019 | PLATE No. 11 |
| | | | | CAD FILE: W-PLATE11 | |